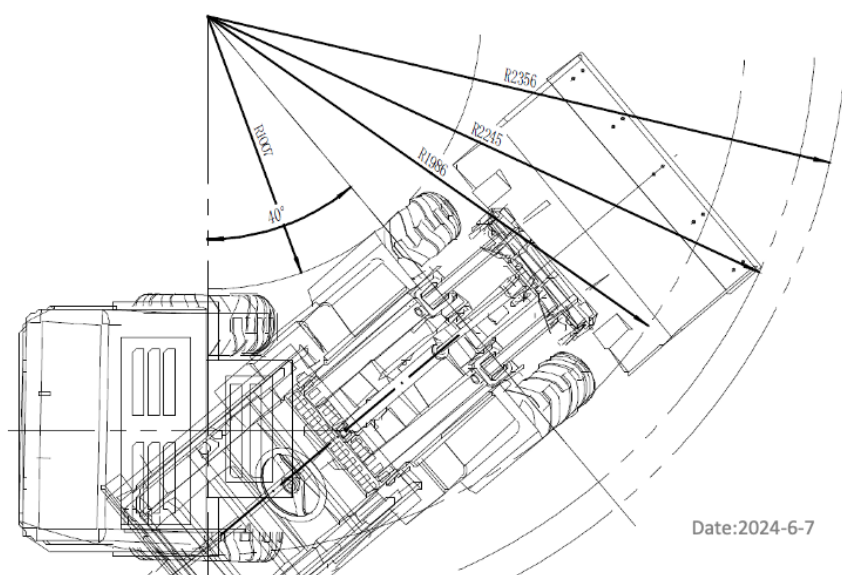
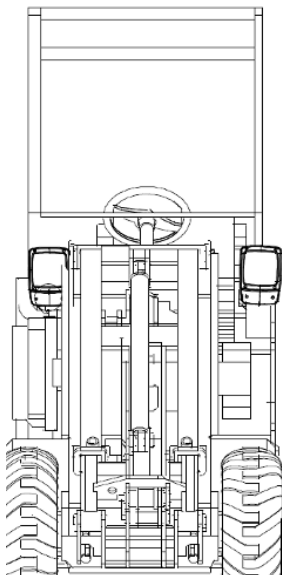
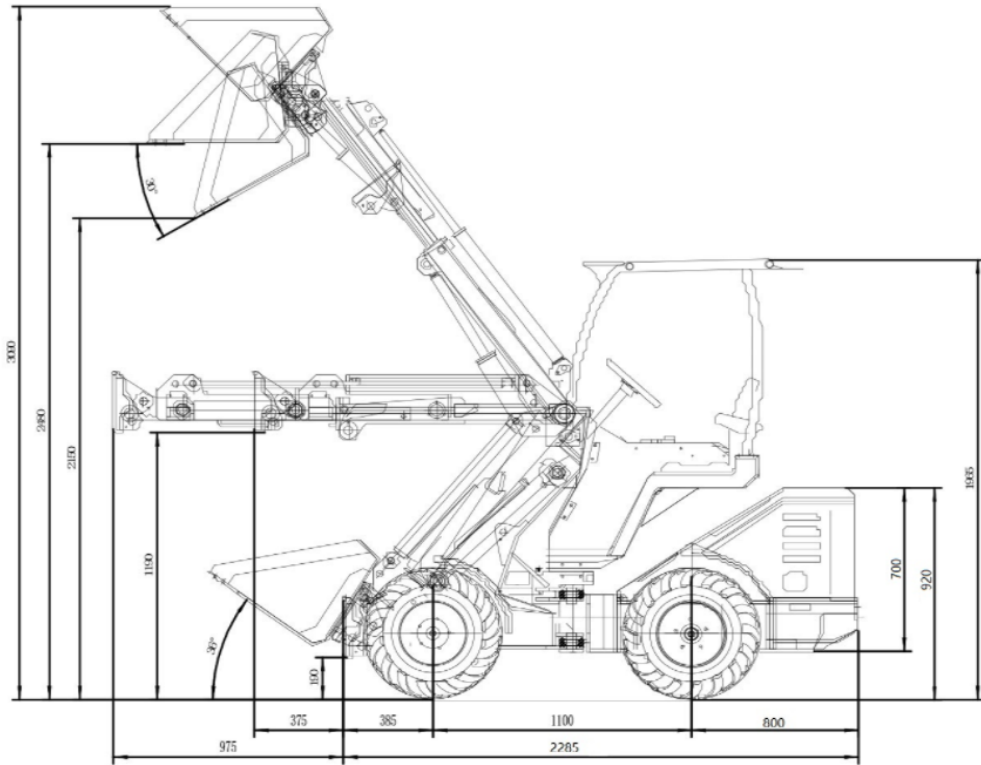


<b>Overall Dimensions (L*W*H)</b>	2285*980*1965mm
<b>Max. Reach (Boom Extended)</b>	2750mm
<b>Max. Reach (Boom Retracted)</b>	2220mm
<b>Rated Loading Capacity</b>	500kg-800kg
<b>Min. Turning Radius</b>	1980mm
<b>Turning Angle</b>	40 <sup>0</sup>
<b>Transmission</b>	4WD/Hydrostatic
<b>Speed</b>	8km/h
<b>Weight</b>	1500 kg
<b>Standard Tire</b>	23X8.5-12
<b>Tire Pressure</b>	2.8 bar
<b>Oil Tank Capacity</b>	35L
<b>Working Pressure</b>	180bar
<b>Working Oil Flow</b>	30L/min
<b>Tracking pressure</b>	230Bar
<b>Oil Model(mineral oil)</b>	L-HL46
<b>Battery</b>	<b>Lead-acid Battery</b>
<b>Battery Capacity</b>	<b>48V/12 kWh/300 Ah</b>



Date:2024-6-7